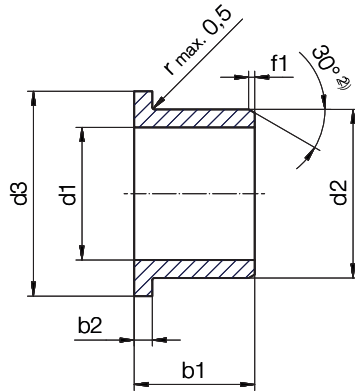


iglidur® W300 | 產品範圍

法蘭軸承 (型號 F)



²⁾ 厚度 < 1 mm : 導角 = 20°

倒角和 d1 的關係

d1 [mm]:	Ø 1-6	Ø 6-12	Ø 12-30	Ø > 30
f [mm]:	0.3	0.5	0.8	1.2

尺寸 [mm]

d1	d1- 公差 ³⁾	d2	d3 d13	b1 h13	b2 -0.14	產品型號
2.5		4.0	6.5	3.0	0.75	WFM-0204-03
3.0	+0.014	4.5	7.5	3.0	0.75	WFM-0304-03
3.0	+0.054	4.5	7.5	5.0	0.75	WFM-0304-05
4.0	+0.020	5.5	9.5	3.0	0.75	WFM-0405-03
4.0	+0.068	5.5	9.5	4.0	0.75	WFM-0405-04
4.0	+0.068	5.5	9.5	6.0	0.75	WFM-0405-06
5.0	+0.010 +0.040	6.0	10.0	8.0	0.50	WFM-0506-08
5.0		7.0	11.0	4.0	1.00	WFM-0507-04
5.0		7.0	11.0	5.0	1.00	WFM-0507-05
6.0	+0.020	8.0	12.0	4.0	1.00	WFM-0608-04
6.0	+0.068	8.0	12.0	6.0	1.00	WFM-0608-06
6.0	+0.068	8.0	12.0	8.0	1.00	WFM-0608-08
6.0		8.0	12.0	10.0	1.00	WFM-0608-10
6.0		8.0	12.0	15.0	1.00	WFM-0608-15
7.0		9.0	15.0	10.0	1.00	WFM-0709-10
7.0		9.0	15.0	12.0	1.00	WFM-0709-12
8.0		10.0	15.0	2.7	1.00	WFM-0810-02
8.0		10.0	15.0	4.0	1.00	WFM-0810-04
8.0		10.0	15.0	5.5	1.00	WFM-0810-05
8.0		10.0	15.0	7.5	1.00	WFM-0810-07
8.0	+0.025	10.0	15.0	9.5	1.00	WFM-0810-09
8.0	+0.083	10.0	15.0	10.0	1.00	WFM-0810-10
8.0		10.0	15.0	23.0	1.00	WFM-0810-23
8.0		10.0	15.0	30.0	1.00	WFM-0810-30
8.0		10.0	15.0	5.0	1.00	WFM-081015-05
10.0		12.0	18.0	4.0	1.00	WFM-1012-04
10.0		12.0	18.0	5.0	1.00	WFM-1012-05

³⁾ 按壓組裝後 測試方法 ▶ 頁碼 57

產品代碼

類型 尺寸 [mm]

W F M-0204-03

iglidur® 材質	型號 F	公制	內徑 - Ø d1	外徑 - Ø d2	長度 b1
-------------	------	----	-----------	-----------	-------

尺寸符合 ISO 3547-1 標準
且提供特殊尺寸

也可選用英制尺寸
▶ 見頁碼 1441

d1	d1- 公差 ³⁾	d2	d3 d13	b1 h13	b2 -0.14	產品型號
10.0		12.0	18.0	6.0	1.00	WFM-1012-06
10.0		12.0	18.0	7.0	1.00	WFM-1012-07
10.0	+0.025	12.0	18.0	9.0	1.00	WFM-1012-09
10.0	+0.083	12.0	18.0	10.0	1.00	WFM-1012-10
10.0	+0.083	12.0	18.0	12.0	1.00	WFM-1012-12
10.0		12.0	18.0	15.0	1.00	WFM-1012-15
10.0		12.0	18.0	17.0	1.00	WFM-1012-17
12.0		14.0	20.0	4.0	1.00	WFM-1214-04
12.0		14.0	20.0	4.4	1.00	WFM-1214-044
12.0		14.0	20.0	6.0	1.00	WFM-1214-06
12.0		14.0	20.0	7.0	1.00	WFM-1214-07
12.0		14.0	20.0	9.0	1.00	WFM-1214-09
12.0		14.0	20.0	10.0	1.00	WFM-1214-10
12.0		14.0	20.0	11.0	1.00	WFM-1214-11
12.0		14.0	20.0	12.0	1.00	WFM-1214-12
12.0		14.0	20.0	15.0	1.00	WFM-1214-15
12.0	+0.032	14.0	20.0	17.0	1.00	WFM-1214-17
12.0	+0.102	14.0	20.0	20.0	1.00	WFM-1214-20
13.0		15.0	22.0	6.0	1.00	WFM-1315-06
14.0		16.0	22.0	4.0	1.00	WFM-1416-04
14.0		16.0	22.0	5.0	1.00	WFM-1416-05
14.0		16.0	22.0	8.0	1.00	WFM-1416-08
14.0		16.0	22.0	12.0	1.00	WFM-1416-12
14.0		16.0	22.0	17.0	1.00	WFM-1416-17
14.0		16.0	22.0	29.0	1.00	WFM-1416-29
15.0		17.0	23.0	9.0	1.00	WFM-1517-09
15.0		17.0	23.0	12.0	1.00	WFM-1517-12
15.0		17.0	23.0	17.0	1.00	WFM-1517-17

尺寸 [mm]

d1	d1- 公差 ³⁾	d2	d3 d13	b1 h13	b2 -0.14	產品型號
15.0		17.0	23.0	20.0	1.00	WFM-1517-20
16.0		18.0	24.0	9.0	1.00	WFM-1618-09
16.0		18.0	24.0	12.0	1.00	WFM-1618-12
16.0		18.0	24.0	17.0	1.00	WFM-1618-17
17.0	+0.032	19.0	25.0	12.0	1.00	WFM-1719-12
17.0	+0.102	19.0	25.0	18.0	1.00	WFM-1719-18
17.0		19.0	25.0	25.0	1.00	WFM-1719-25
18.0		20.0	26.0	6.0	1.00	WFM-1820-06
18.0		20.0	26.0	12.0	1.00	WFM-1820-12
18.0		20.0	26.0	17.0	1.00	WFM-1820-17
18.0		20.0	26.0	22.0	1.00	WFM-1820-22
20.0		23.0	30.0	11.5	1.50	WFM-2023-11
20.0		23.0	30.0	14.5	1.50	WFM-2023-14
20.0		23.0	30.0	16.5	1.50	WFM-2023-16
20.0		23.0	30.0	21.5	1.50	WFM-2023-21
24.0		27.0	32.0	10.5	1.50	WFM-2427-10
25.0	+0.040	28.0	35.0	11.5	1.50	WFM-2528-11
25.0	+0.124	28.0	35.0	16.5	1.50	WFM-2528-16
25.0		28.0	35.0	21.0	1.50	WFM-2528-21
25.0		28.0	32.0	30.0	1.50	WFM-2528-30
25.0		28.0	31.0	13.5	1.50	WFM-252831-13
28.0		30.0	35.0	36.0	1.00	WFM-2830-36
30.0		34.0	42.0	10.0	2.00	WFM-3034-10
30.0		34.0	42.0	16.0	2.00	WFM-3034-16

d1	d1- 公差 ³⁾	d2	d3 d13	b1 h13	b2 -0.14	產品型號
30.0	+0.040	34.0	42.0	26.0	2.00	WFM-3034-26
30.0	+0.124	34.0	42.0	37.0	2.00	WFM-3034-37
32.0		36.0	40.0	16.0	2.00	WFM-3236-16
32.0		36.0	40.0	26.0	2.00	WFM-3236-26
35.0		39.0	47.0	9.0	2.00	WFM-3539-09
35.0		39.0	47.0	16.0	2.00	WFM-3539-16
35.0		39.0	47.0	26.0	2.00	WFM-3539-26
35.0	+0.050	39.0	50.0	35.0	2.00	WFM-353950-35
38.0	+0.150	42.0	50.0	22.0	2.00	WFM-3842-22
40.0		44.0	52.0	30.0	2.00	WFM-4044-30
40.0		44.0	52.0	40.0	2.00	WFM-4044-40
45.0		50.0	58.0	50.0	2.00	WFM-4550-50
50.0		55.0	63.0	40.0	2.00	WFM-5055-40
50.0		55.0	63.0	50.0	2.00	WFM-5055-50
55.0		60.0	68.0	60.0	2.00	WFM-5560-60
57.0		62.0	67.0	40.0	2.00	WFM-5762-40
60.0	+0.060	65.0	73.0	60.0	2.00	WFM-6065-60
65.0	+0.180	70.0	78.0	60.0	2.00	WFM-6570-60
70.0		75.0	83.0	100.0	2.50	WFM-7075-100
75.0		80.0	88.0	100.0	2.50	WFM-7580-100
80.0		85.0	93.0	100.0	2.50	WFM-8085-100
90.0	+0.072	95.0	103.0	100.0	2.50	WFM-9095-100
100.0	+0.212	105.0	113.0	100.0	2.50	WFM-100105-100
120.0		125.0	133.0	100.0	2.50	WFM-120125-100

³⁾ 按壓組裝後 測試方法 ▶ 頁碼 57



沒有找到您要的尺寸？

您是否需要其他長度、尺寸或公差？您在尋找一個特殊的設計或取代您應用的其他解決方案？請與我們聯絡。易格斯傾聽您的需求，並在短時間內迅速為您提供解決方案。



更多尺寸可現貨供應

超過 300 個尺寸可供選擇。線上搜尋您所需的軸承。

▶ www.igus.com.tw/iglidur-specialbearings